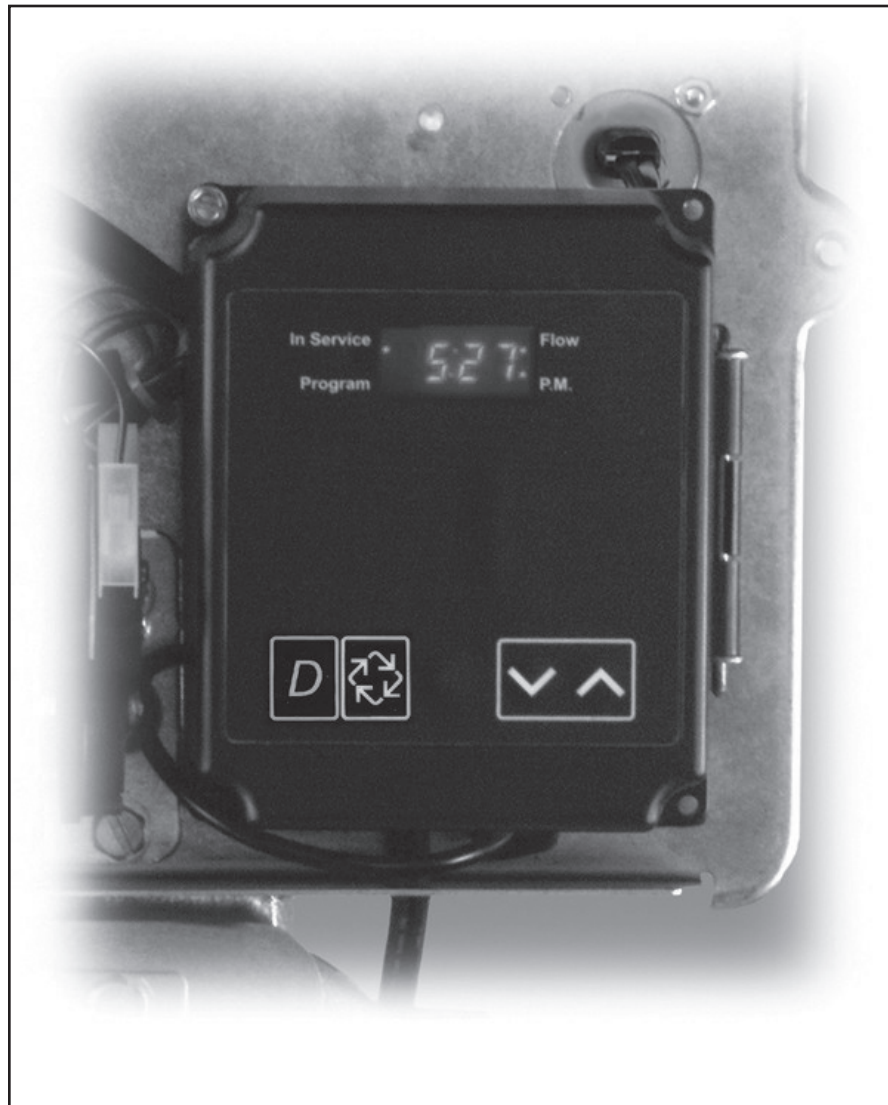


# 3200NT

## *Service Manual*



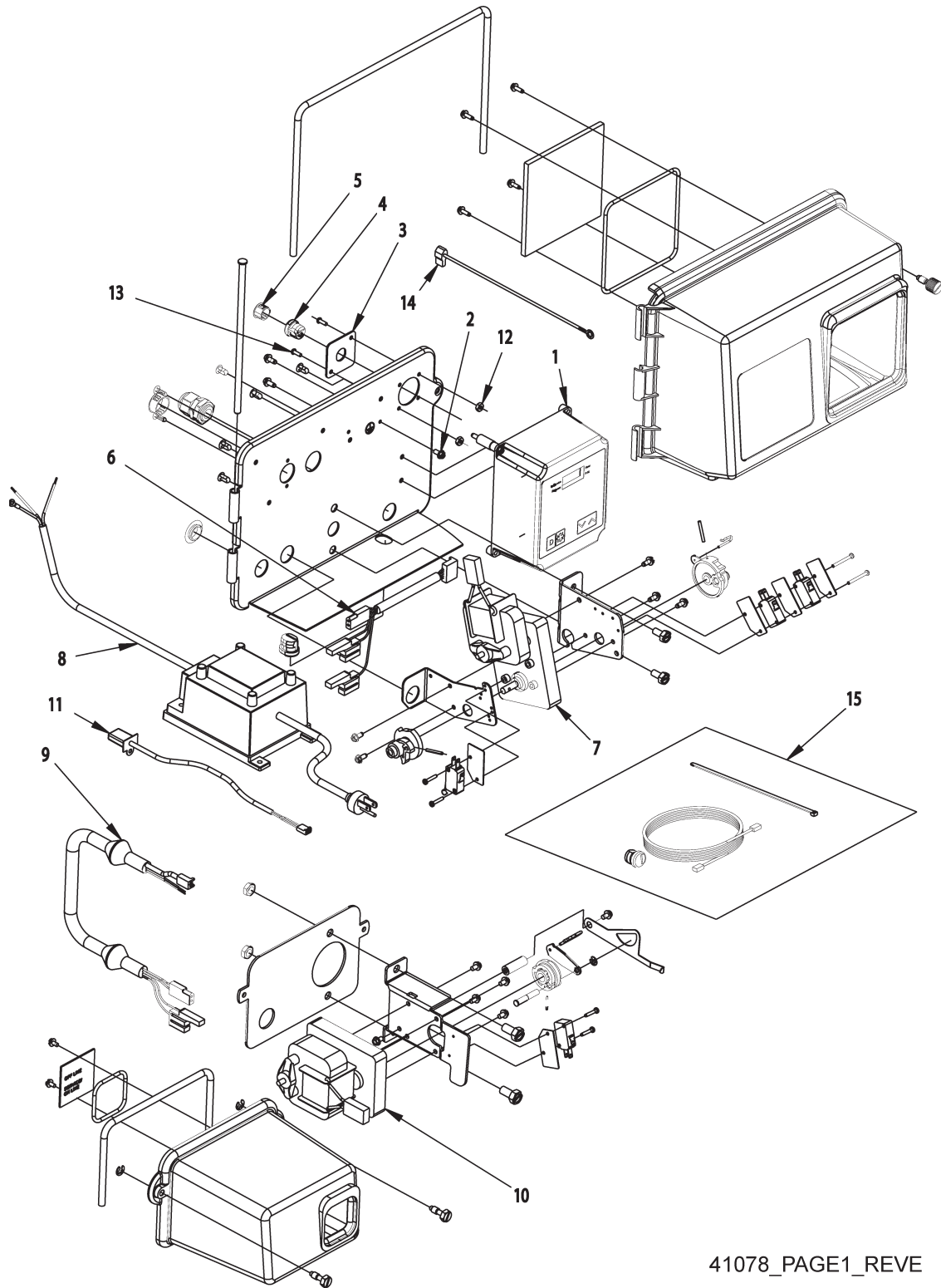
**IMPORTANT: Fill in Pertinent Information on Page 3 for Future Reference**

---

# Power Head Assembly

## 2750/2850/2900 Upper Drive and 2900 Lower Drive

---



41078\_PAGE1\_REVE

---

## **Power Head Assembly Parts List**

### **2750/2850/2900 Upper Drive and 2900 Lower Drive**

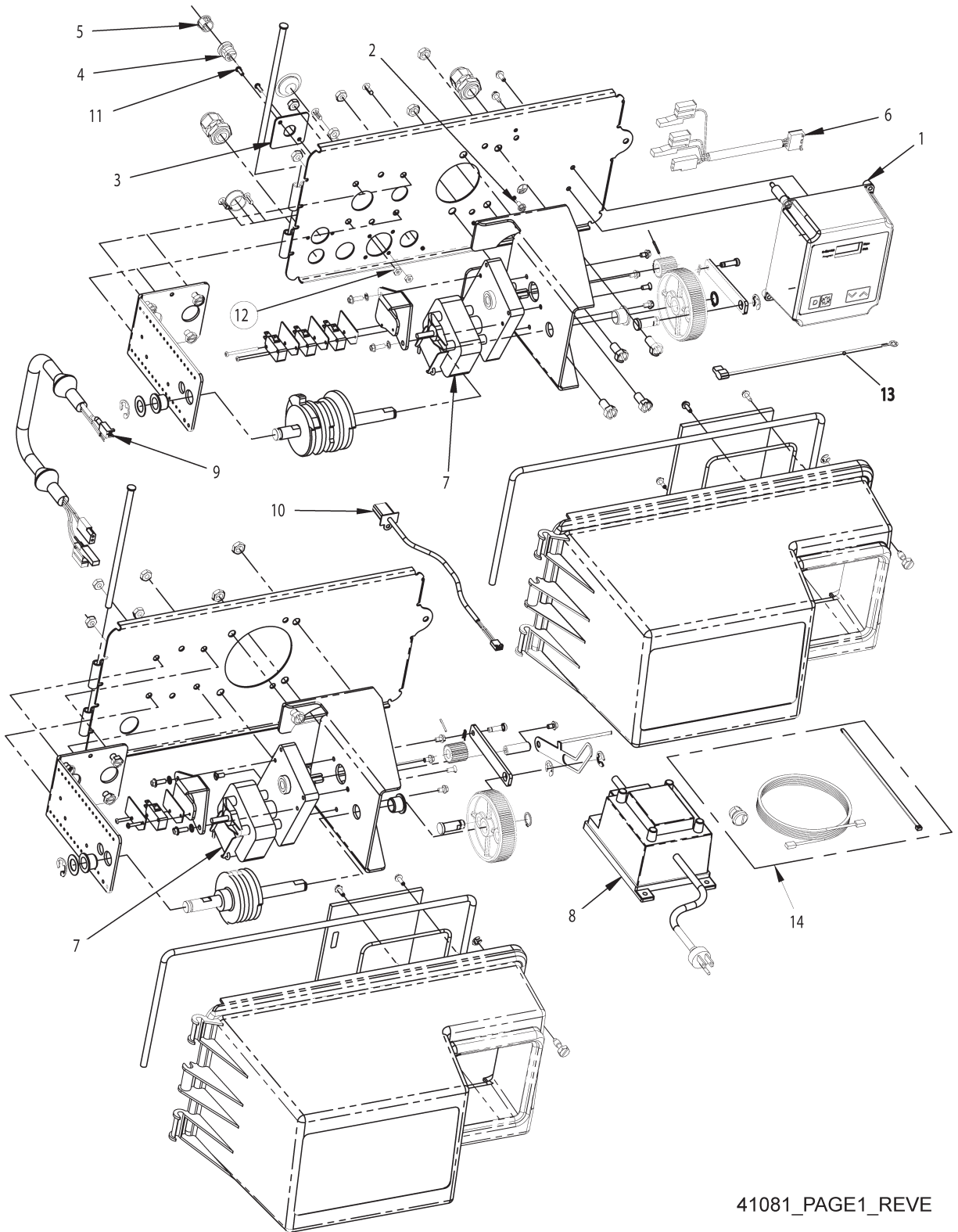
---

<b>Item No.</b>	<b>Quantity</b>	<b>Part No.</b>	<b>Description</b>
1.....	1 .....	41062 .....	3200NT Timer Assy
2.....	1 .....	14202-01 .....	Screw, Hex Wsh Mach, 8-32 x 5/16
3.....	1 .....	40959 .....	Bracket, Strain Relief, 3200NT
4.....	1 .....	41071 .....	Strain Relief, NT Communication Cable
5.....	1 .....	41035 .....	Plug, Strain Relief
6.....	1 .....	40941 .....	Harness, Upper Drive
7.....	1 .....	40385 .....	Motor, Drive, 24V 50/60 Hz
8.....	1 .....	41034 .....	Transformer, US 120V/24V, 108VA 3200NT
		41049 .....	Transformer, Euro, 230V/24V
		41050 .....	Transformer, Aust, 230V/24V
9.....	1 .....	40943 .....	Wire Harness, Lower Drive w/Molded Strain Relief
10.....	1 .....	40388 .....	Motor, Drive, 24V, 50/60 Hz
11.....	1 .....	19121-08 .....	Meter Cable Assy, NT, 35" w/Connector
		19121-09 .....	Meter Cable Assy, NT, 99.5" w/Connector
		19121-10 .....	Meter Cable Assy, NT, 303.5" w/Connector
12.....	2 .....	12732 .....	Nut, Hex, 5-40
13.....	2 .....	10299 .....	Screw, Slot Rnd, 5-40 x 3/8
14.....	1 .....	40175-03 .....	Ground Wire Assy, Earth
15.....	1 .....	41047 .....	Kit, Communication Cable
Not Shown ...	1 .....	41228 .....	Codes, 3200NT

**NOTE: For all other service part numbers, see the Service Manual that accompanies the control valve.**

# Power Head Assembly

## 3150/3900 Upper Drive and 3900 Lower Drive



41081\_PAGE1\_REVE

---

## **Power Head Assembly Parts List**

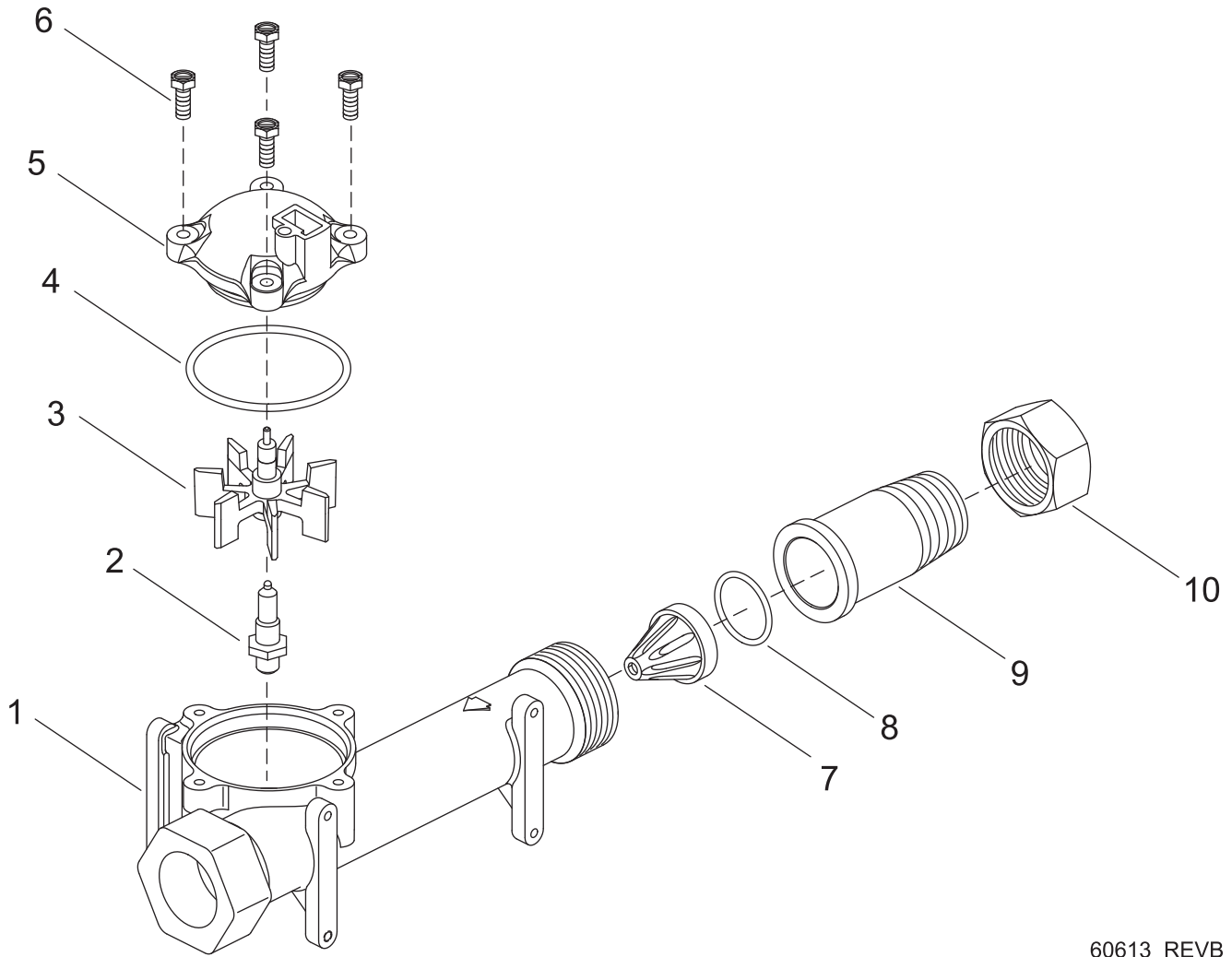
### **3150/3900 Upper Drive and 3900 Lower Drive**

---

<b>Item No.</b>	<b>Quantity</b>	<b>Part No.</b>	<b>Description</b>
1.....	1 .....	41062 .....	3200NT Timer Assy
2.....	1 .....	14202-01 .....	Screw, Hex Wsh Mach, 8-32 x 5/16
3.....	1 .....	40959 .....	Bracket, Strain Relief, 3200NT
4.....	1 .....	41071 .....	Strain Relief, NT Communication Cable
5.....	1 .....	41035 .....	Plug, Strain Relief
6.....	1 .....	40941 .....	Harness, Upper Drive
7.....	2 .....	40391 .....	Motor, Drive, 24V, 50/60 Hz
8.....	1 .....	41034 .....	Transformer, US 120V/24V, 108VA 3200NT
		41049 .....	Transformer, Euro, 230V/24V
		41050 .....	Transformer, Aust, 230V/24V
9.....	1 .....	40943 .....	Wire Harness, Lower Drive w/Molded Strain Relief
10.....	1 .....	19121-08 .....	Meter Cable Assy, NT, 35" w/Connector
		19121-09 .....	Meter Cable Assy, NT, 99.5" w/Connector
		19121-10 .....	Meter Cable Assy, NT, 303.5" w/Connector
11.....	2 .....	10299 .....	Screw, Slot Rnd, 5-40 x 3/8
12.....	2 .....	12732 .....	Nut, Hex, Machine, #5-40
13.....	1 .....	40175-03 .....	Ground Wire Assy, Earth
14.....	1 .....	41047 .....	Kit, Communication Cable
Not Shown ...	1 .....	41228 .....	Card, Codes, 3200NT

**NOTE: For all other service part numbers, see the Service Manual that accompanies the control valve.**

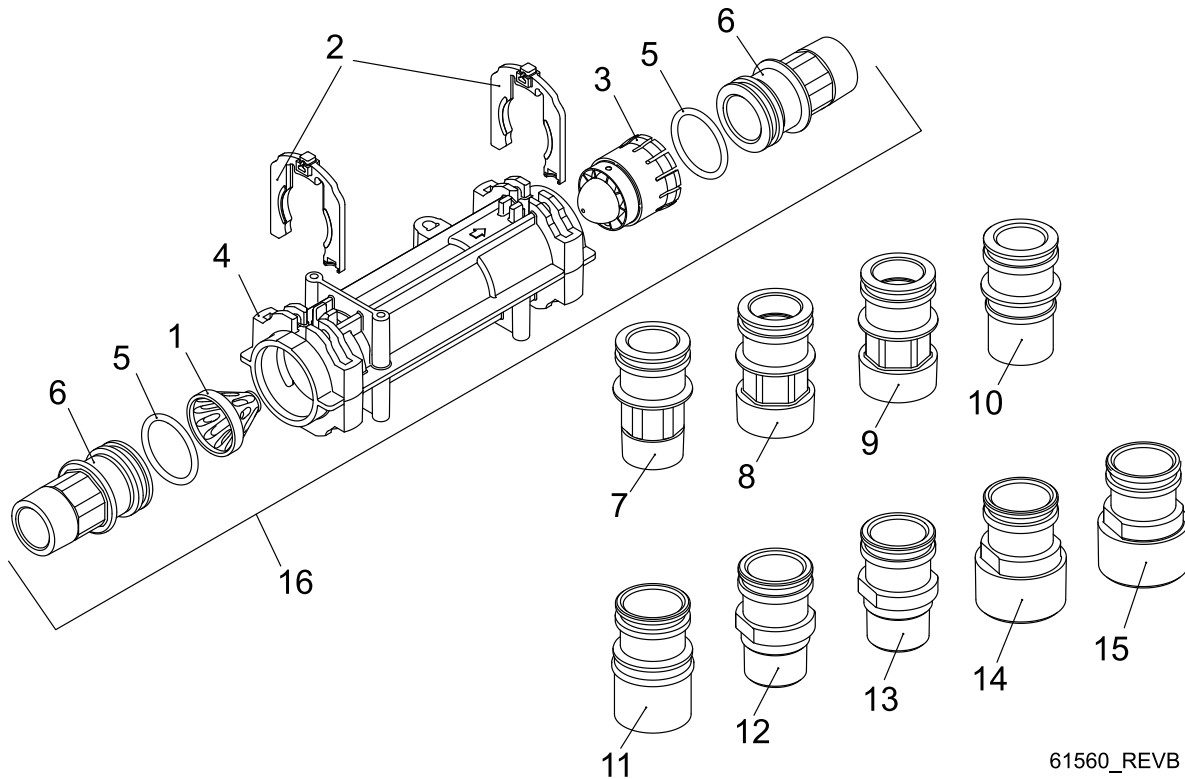
# 1" Brass Paddle Meter



60613\_REVB

Item No.	Quantity	Part No.	Description
1	1	14959	Body, Meter, 2750
2	1	13882	Post, Meter Impeller
3	1	13509	Impeller, Meter
4	1	13847	O-ring, -137, Std/560CD, Meter
5	1	14716	Meter Cap Assy, ET/NT
6	4	12112	Screw, Hex Hd Mach, 10-24 x 1/2 18-8 S.S.
7	1	14960	Flow Straightener, 1"
8	1	13287	O-ring, -123
9	1	14961	Fitting, 1" Quick Connector
10	1	14962	Nut, 1" Meter, Q/C

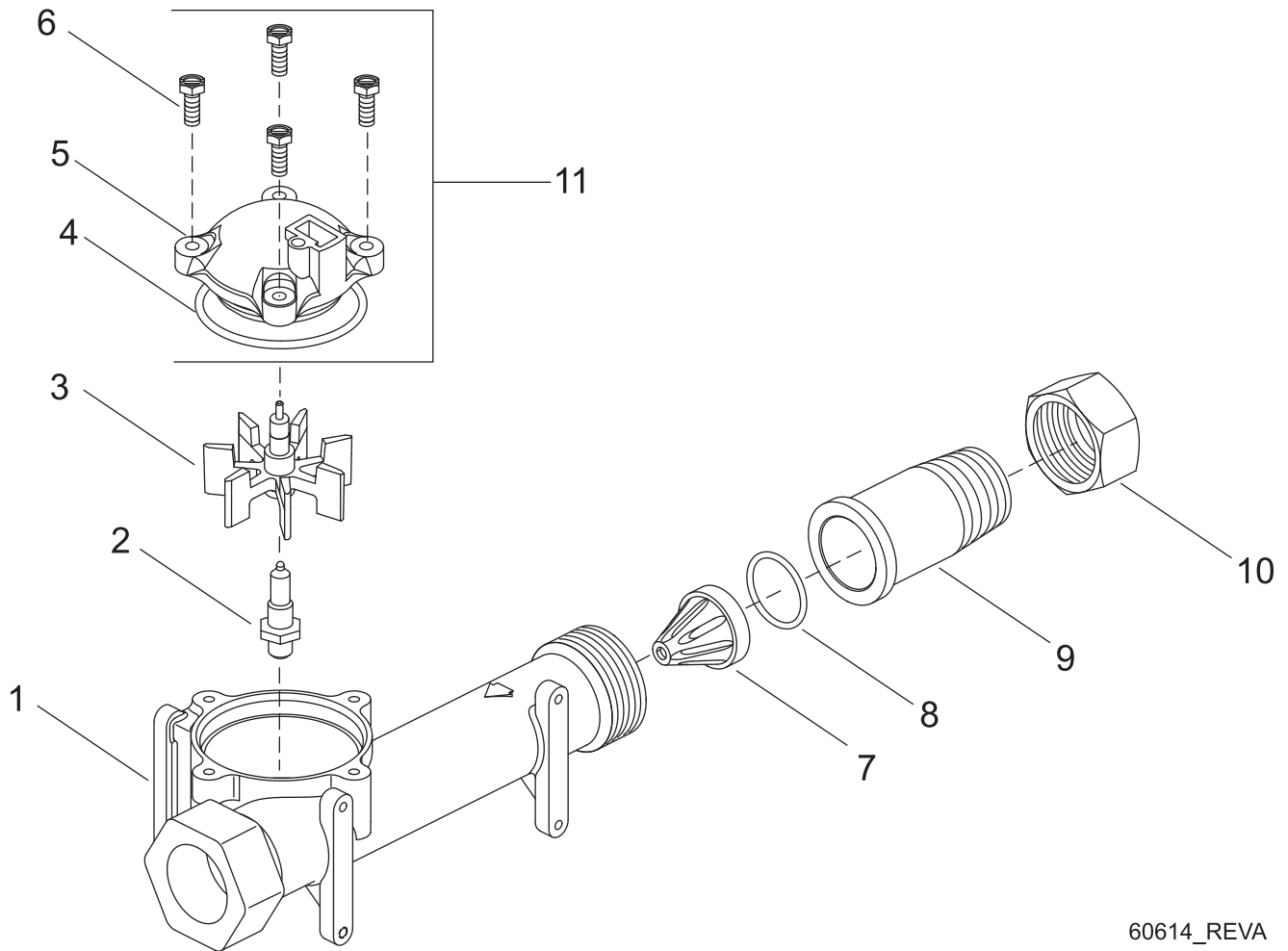
# 1" & 1 1/2" Plastic Turbine Meter



61560\_REVB

Item No.	Quantity	Part No.	Description
1	1	17542	Flow Straightener, 1 1/2"
2	1	40576	Clip, H, Plastic, 7000
3	1	40577	Turbine Meter Assy, 7000
4	1	41555	Body, Remote Meter
5	1	40951	O-ring, -220
6	1	40563	Connector, 1" NPT, 7000
7	1	40563-10	Connector, 1" BSP, 7000
8	1	40565	Connector, 1 1/4" NPT, 7000
9	1	40565-10	Connector, 1 1/4" BSP, 7000
10	1	41242	Connector, 1" & 1 1/4" Sweat
11	1	41243	Connector, 1 1/4" & 1 1/2" Sweat
12	1	41596	Connector, Brass, 1" NPT
13	1	41596-10	Connector, Brass, 1" BSP
14	1	41597	Connector, Brass, 1 1/2" NPT
15	1	41597-10	Connector, Brass, 1 1/2" BSP
16	1	61560-01	Meter Assy, In-Line, w/1" NPT Plstc Connector
		61560-02	Meter Assy, In-Line, w/1" BSP Plstc Connector
		61560-03	Meter Assy, In-Line, w/1 1/4" NPT Plstc Connector
		61560-04	Meter Assy, In-Line, w/1 1/4" BSP Plstc Connector
		61560-05	Meter Assy, In-Line, w/1" & 1 1/4" Sweat Connector
		61560-06	Meter Assy, In-Line, w/1 1/4" & 1 1/2" Sweat Connector
		61560-07	Meter Assy, In-Line, w/1" NPT Brass Connector
		61560-08	Meter Assy, In-Line, w/1" BSP Brass Connector
		61560-09	Meter Assy, In-Line, w/1 1/2" NPT Brass Connector
		61560-10	Meter Assy, In-Line, w/1 1/2" BSP Brass Connector

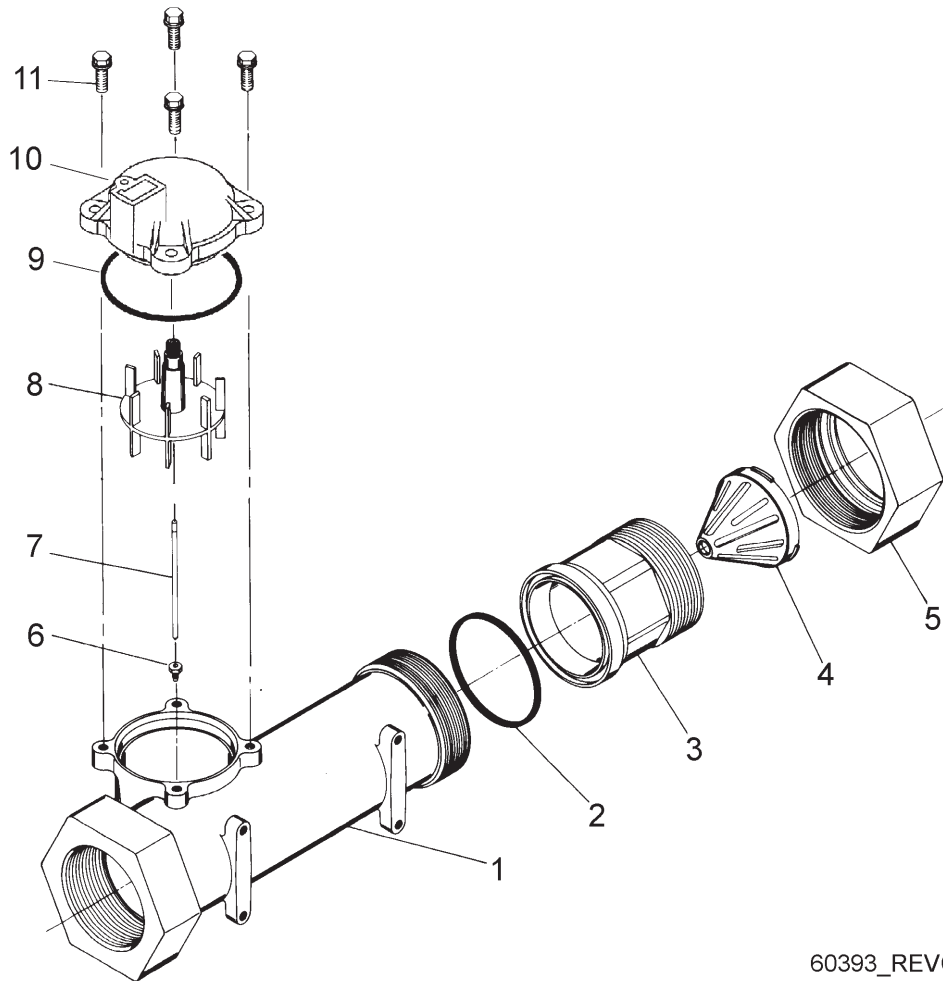
# 1 1/2" Brass Paddle Meter



60614\_REVA

Item No.	Quantity	Part No.	Description
1.....	1.....	17569.....	Body, Meter, 2850/9500
2.....	1.....	13882.....	Post, Meter Impeller
3.....	1.....	13509.....	Impeller, Meter
4.....	1.....	13847.....	O-Ring, -137, Std/560CD, Meter
5.....	1.....	14716.....	Meter Cap Assy, ET/NT
6.....	4.....	17798.....	Screw, Hex Hd Mach, 10-24 x 1/2 18-8 S.S.
7.....	1.....	17542.....	Flow Straightener, 1 1/2"
8.....	1.....	12733.....	O-Ring, -132
9.....	1.....	17544.....	Fitting, 1 1/2" Quick Connector
10.....	1.....	17543.....	Nut, 1 1/2", Q/C
11.....	1.....	14716.....	Meter Cap Assy, ET/NT
Not Shown ...	1.....	17790.....	Sleeve, Meter, 1 1/2" x 1"

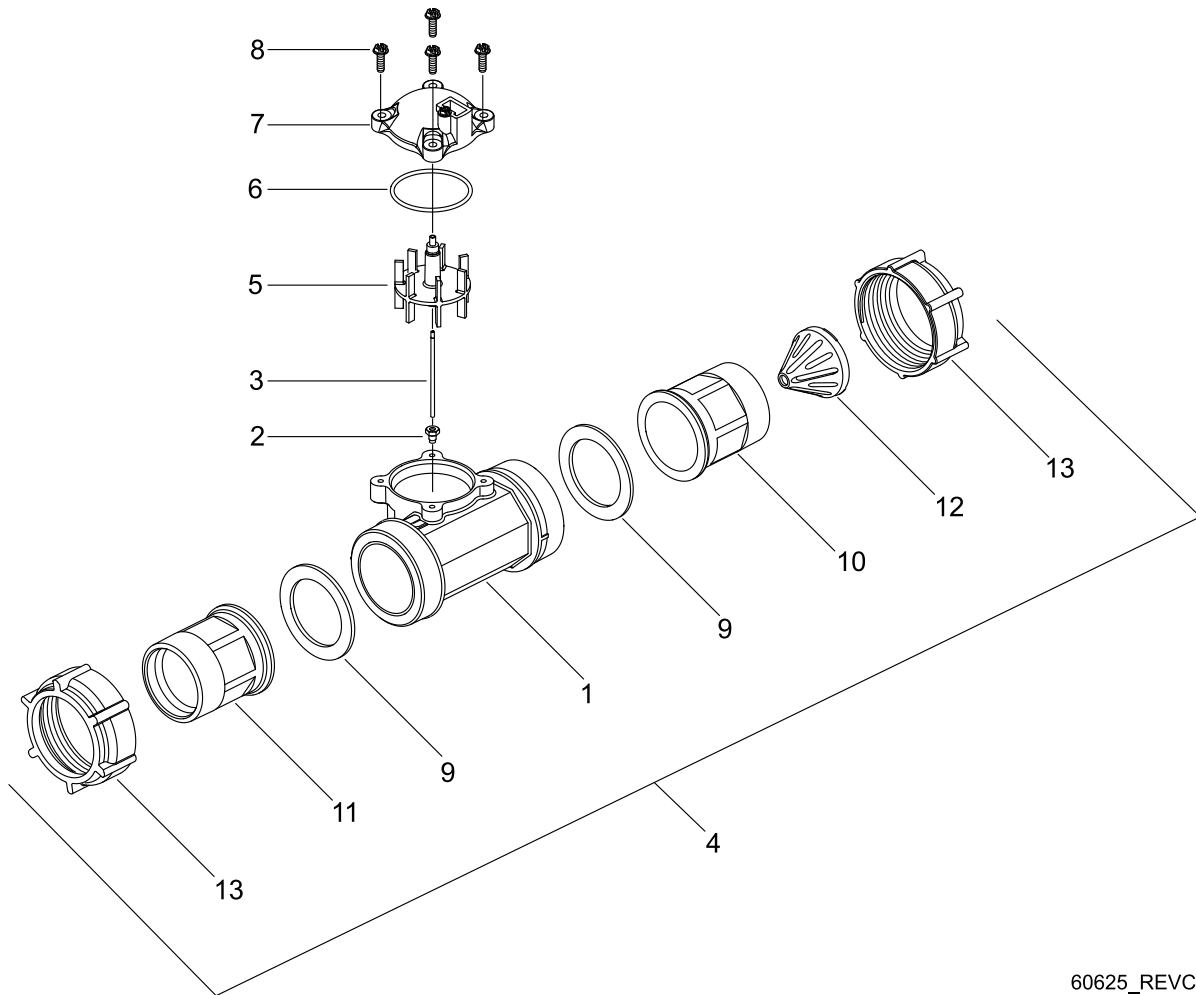
## 2" Brass Paddle Meter



60393\_REVC

Item No.	Quantity	Part No.	Description
1.....	1.....	14456.....	Body, Meter, 2"
2.....	1.....	14679.....	O-ring, -227, Meter
3.....	1.....	14568.....	Fitting, Nipple, 2"
4.....	1.....	14680.....	Flow Straightener
5.....	1.....	14569.....	Nut, 2900 Meter
6.....	1.....	15532.....	Seat, Impeller Shaft, Hex
7.....	1.....	15432.....	Shaft, Impeller, SS
8.....	1.....	15374.....	Impeller Assy, 2" Meter
9.....	1.....	13847.....	O-ring, -137, Std/560CD, Meter
10.....	1.....	14716.....	Meter Cap Assy, ET/NT
11.....	4.....	12112.....	Screw, Hex Hd Mach, 10-24 x 1/2

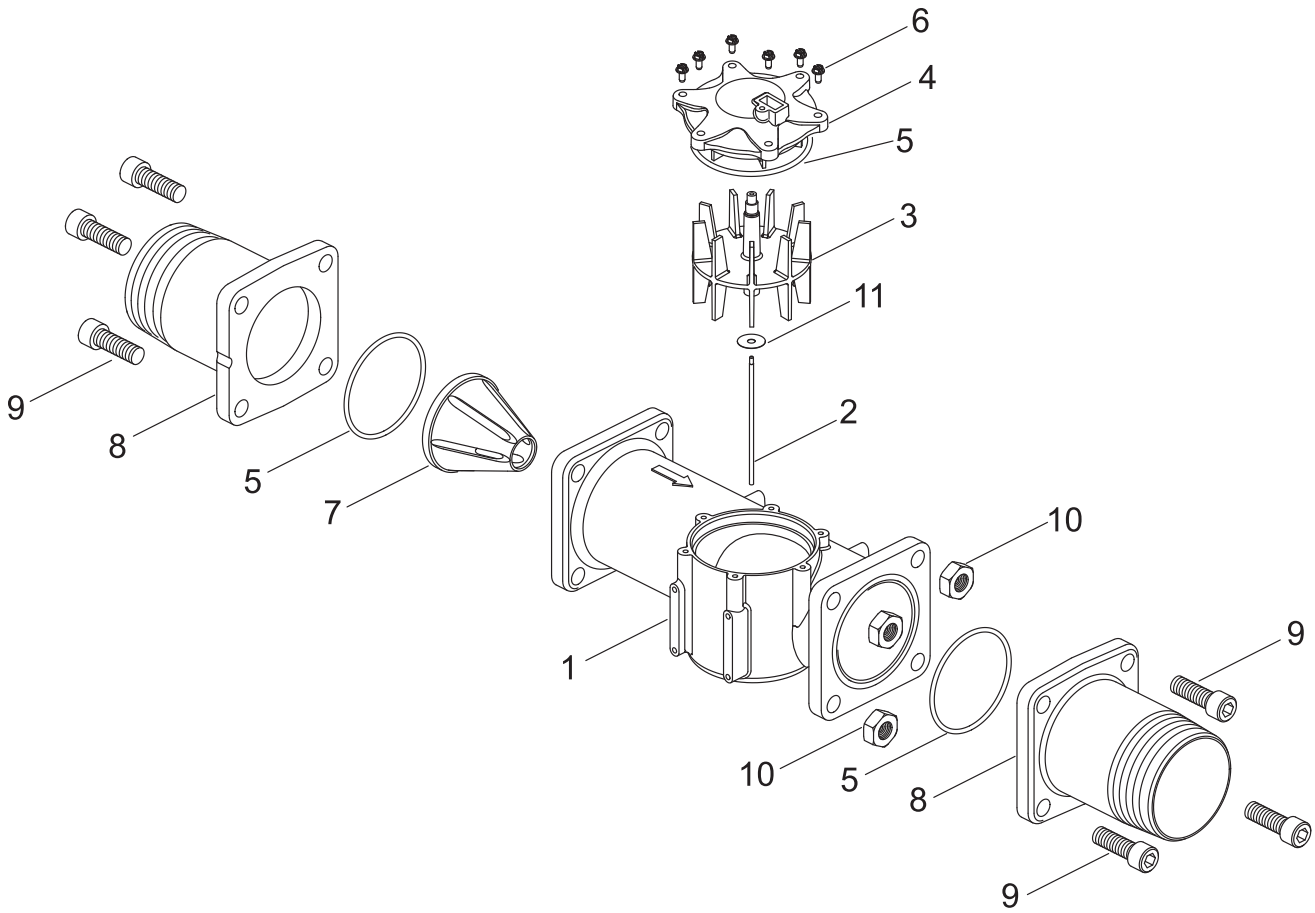
# 2" Plastic Paddle Meter



60625\_REVC

Item No.	Quantity	Part No.	Description
1	1	17689	Body, Meter, 2" Plastic w/Impeller Shaft Seat
2	1	15532	Seat, Impeller Shaft, Hex
3	1	15432	Shaft, Impeller, SS
4	1	60620	Meter Assembly, 2" Plastic, Std
		60621	Meter Assembly, 2" Plastic, Ext
		60625	Meter Assembly, 2" Plastic, Electronic
5	1	15374	Impeller Assy, 2" Meter
6	1	13847	O-Ring, -137, Std/560CD, Meter
7	1	14716	Meter Cap Assy, ET/NT
8	4	12473	Screw, Hex Wsh, 10-24 x 5/8 18-8 S.S.
9	2	40666	Seal, Face, 2", Plastic Meter
10	1	17987-001	Fitting, Nipple, 2", Plastic, NPT, Machined, Flow Straightener
		17987-101	Fitting, Nipple, 2", Plastic, BSP, Machined, Flow Straightener
11	1	17987-000	Fitting, Nipple, 2", Plastic, NPT
		17987-100	Fitting, Nipple, 2", Plastic, BSP
12	1	14680	Flow Straightener
13	2	17988	Nut, 2" Meter

# 3" Brass Paddle Meter



60617\_REVA

Item No.	Quantity	Part No.	Description
1.....	1 .....	16254 .....	Body, Meter, 3900
2.....	1 .....	16279 .....	Shaft, Impeller
3.....	1 .....	16575 .....	Impeller Assy, 3"
4.....	1 .....	14716-01 .....	Meter Cap Assy, 3", ET
5.....	3 .....	15707 .....	O-ring, -236
6.....	6 .....	12112 .....	Screw, Hex Hd Mach, 10-24 x 1/2
7.....	1 .....	16280 .....	Flow Straightener
8.....	2 .....	16328 .....	Adapter, Flange, 3"
9.....	8 .....	40118 .....	Screw, Sckt Hd, 1/2 - 13
10.....	8 .....	16386 .....	Nut, Hex Jam, 1/2 - 13
11.....	1 .....	16574 .....	Washer, Plain, SS